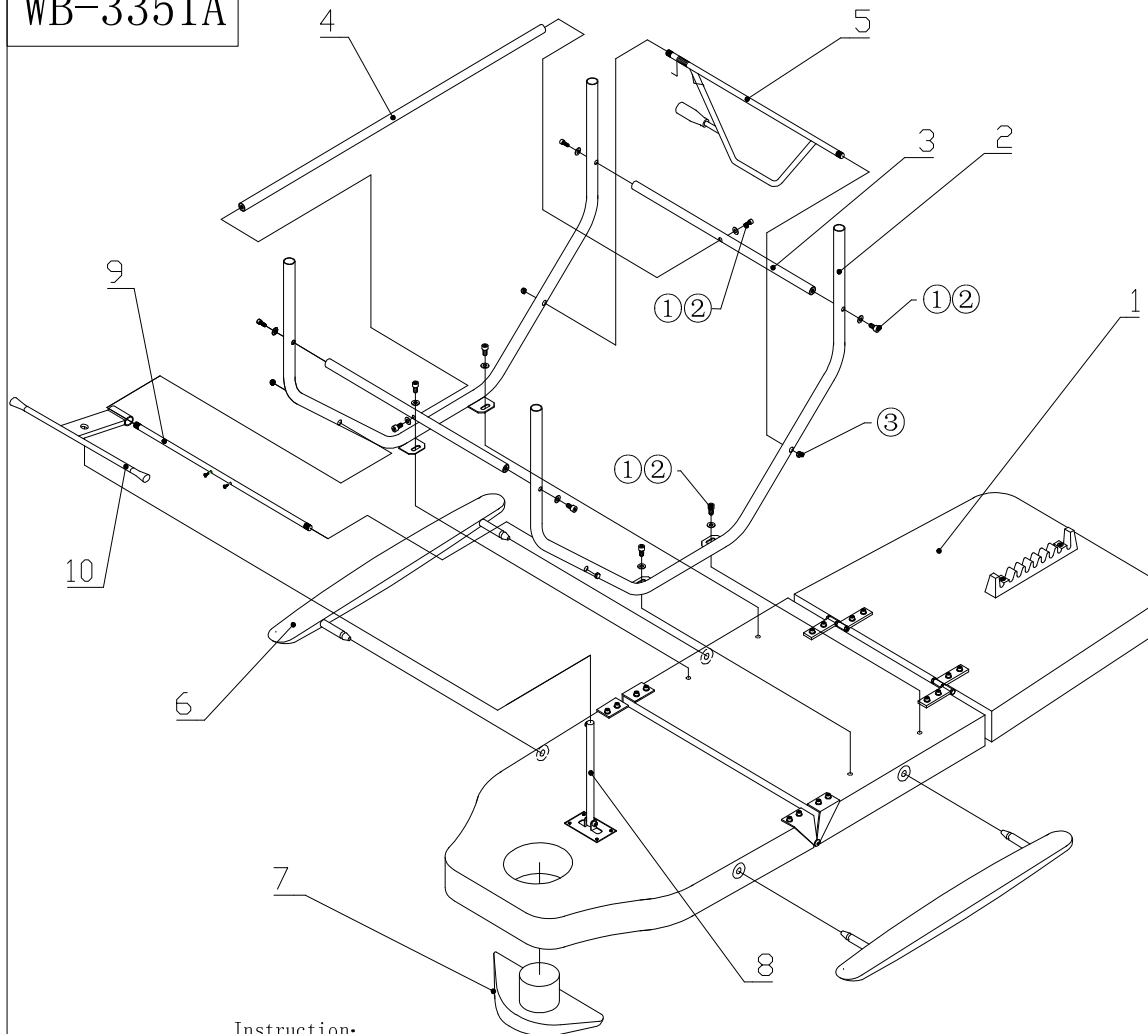


WB-3351A



Instruction:

1. Turn over cushion use screw fixed cushion on bed stand
2. Connect short round pipe to the bed stand
3. Fix the long round pipe according to the sketch map
4. Put metal rack on the bed stand and fix the spring.
5. Fix handle annectent, put the handle inside use to adjust angle of bed back
6. Turn over the bed, put the armrest and pillow.

③	Cover nut M12	4
②	Washer 8	10
①	six angle screw M8x16	10
10	handle	1
9	handle annectent	1
8	lifter handle	1
7	pillow	1
6	armrest	2
5	metal rack	1
4	long round pipe	1
3	short round pipe	2
2	bed stand	1
1	cushion	1
NO.	Description	QTY