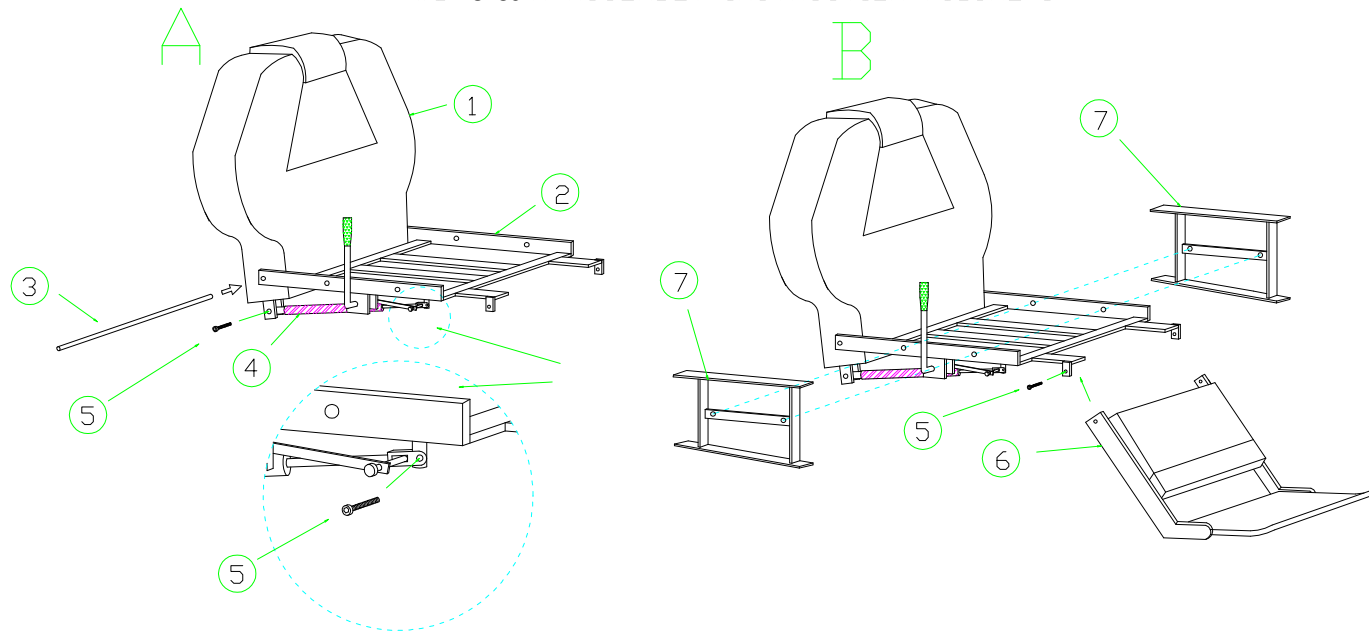


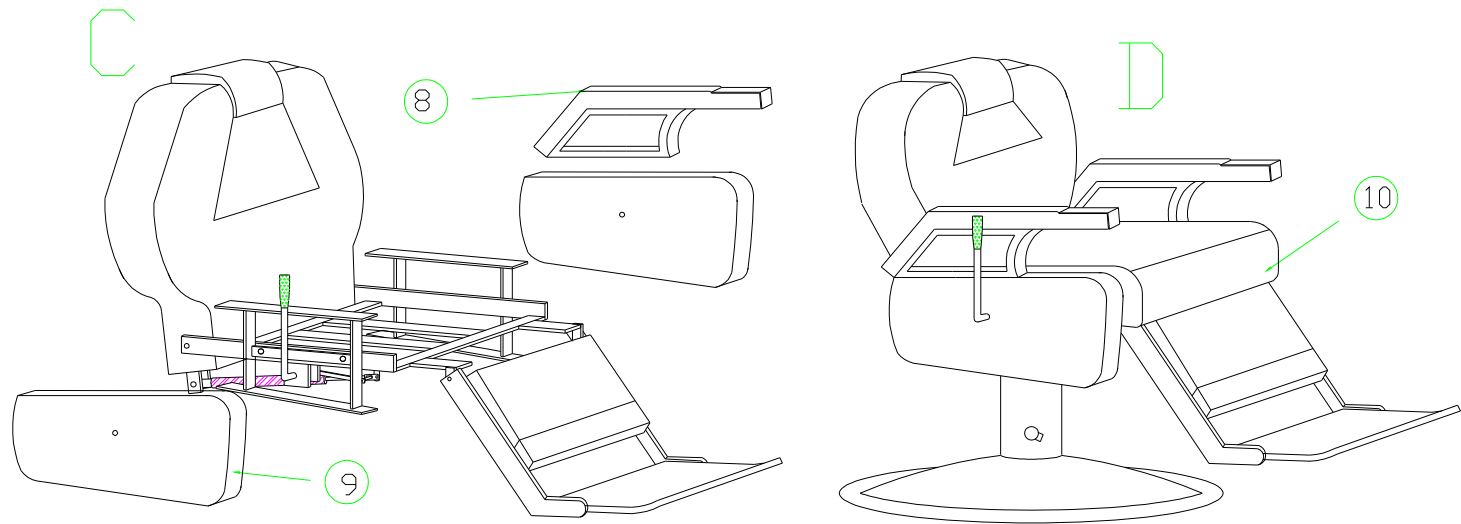
WB-31802A ASSEMBLY INSTRUCTION-FIGURE 1



① BACKREST ② METAL FRAME ③ 12mm ROUND BAR ④ PNEUMATIC ROD ⑤ M8 SCREW

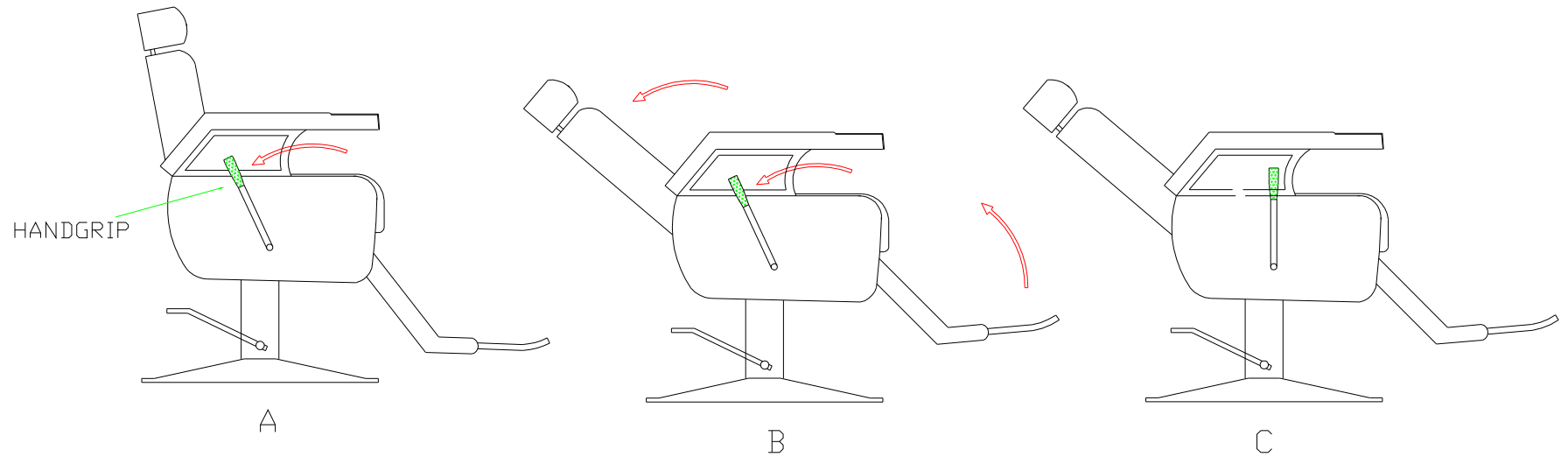
1. INSTALL THE BACKREST ① AND METAL FRAME ② AS IN THE PICTURE, INSERT THE 12mm ROUND BAR ③ AND FIX THE PNEUMATIC ROD ④ AS SHOWN IN THE PICTURE, THEN FASTEN THE M8 SCREWS.
2. ATTACH ⑦ ONTO ② AS IN THE PICTURE, FASTEN THE SCREWS, PLACE THE FOOTREST ⑥ TO THE RIGHT POSITION AS IN THE PICTURE, FASTEN THE M8 SCREWS ON BOTH SIDES.

WB-31802A ASSEMBLY INSTRUCTION-FIGURE 2



⑥ FOOTREST ⑦ ARMREST FRAME ⑧ ARMREST ⑨ FIBERGLASS COVER ⑩ SEAT CUSHION

3. ATTACH THE FIBERGLASS COVER ⑨ ONTO THE ARMREST FRAME ⑦ .FASTEN THE M8 SCREWS.



1. TO RECLINE THE CHAIR,PULL THE HANDGRIP BACK (AS IN PICTURE A),LEAN ON THE BACKREST UNTIL IT REACHES THE PROPER POSITION(AS IN PICTURE B),RELEASE THE HANDGRIP TO FIX THE BACKREST POSITION (AS IN PICTURE C )

2.TO RE-LOCATE THE CHAIR BACKREST,PULL THE HANDGRIP BACK,AND REMOVE ANY PRESSURE ON THE BACKREST UNTIL IT IS BACK TO THE RIGHT POSITION, THEN RELEASE THE HANDGRIP